

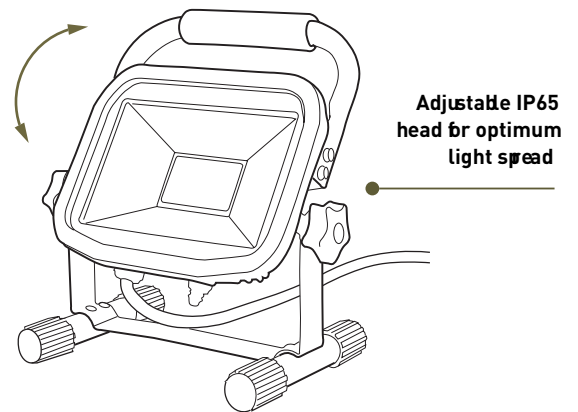


## PORTABLE WORK LIGHT



### Assembly and operation instructions

- Ensure work light is placed on a stable surface
- Adjust head for optimum light distribution
- Plug the IP44 rated socket to 110V AC power supply
- Switch on the work light via the weatherproof on/off switch



Cable	1800mm H07RN-F 1.0mm <sup>2</sup> 3 core rubber cable
Plug	110V 16A plug to EN 60309
Material	ADC12 Aluminium
Input Voltage	110V
Colour Temp	5000K
Ambient Temp	-5° C - +40°C
Dimensions	224 x 130 x 245mm
Net Weight	1.45 Kg

### Safety Information

- **DO NOT** pull or carry the work light by the power cable.
- **DO NOT** pull the plug from the socket by the cable.
- **DO NOT** use worn or damaged cables, plugs or connectors.
- The work light is supplied with a yellow CEE plug suitable for connection to a 110V power supply.
- Ensure the power supply and plug are connected in a suitable location.
- If the power supply and plug are connected outdoors, the work light must be connected to an IP44 (minimum) rated power socket.
- If using the stand with the work light ensure it is used on a flat surface.
- Ensure the cable does not cause a trip or fall hazard.
- Do not clean the work light with solvents. Use a mild soap solution if necessary and thoroughly dry before use with a soft, clean, dry cloth.
- The work light is not suitable for submersion or cleaning by pressure sprays.
- Store in a clean dry area.

Tech Help Line

UK - 0330 0249 279  
 Non UK - +44 (0)1952 238 100  
 Supplied by LUCECO  
 Stafford Park 1  
 TF3 3BD ENGLAND

Kontakt

UK - 0330 0249 279  
 Non UK - +49 40 89066 878 - 29  
 Geliefert von Nexus Industries  
 GmbH Holstenplatz 20b,  
 22765 Hamburg DEUTSCHLAND

Support Technique

UK - 0330 0249 279  
 Non UK - +33 (0)1 61 10 10 35  
 Notice fournie par  
 Luceco SAS France & Belux 3  
 Rue de Courtalin, Magny Le Hongre 77700  
 FRANCE & BELUX

Servicio de asistencia telefónica

UK - 0330 0249 279  
 Non UK - +34 93 576 83 21  
 Facilitado por BG Electrical Ltd  
 Liessamins, 6, 08338,  
 Premia de Dalt Barcelona, Spain

Assistenza tecnica telefonica

UK - 0330 0249 279  
 Non UK - +39 0434 1696795  
 Fornito da BG Electrical Ltd Nexus  
 Italia, Via Amman 10 33170  
 Pordenone, Italy